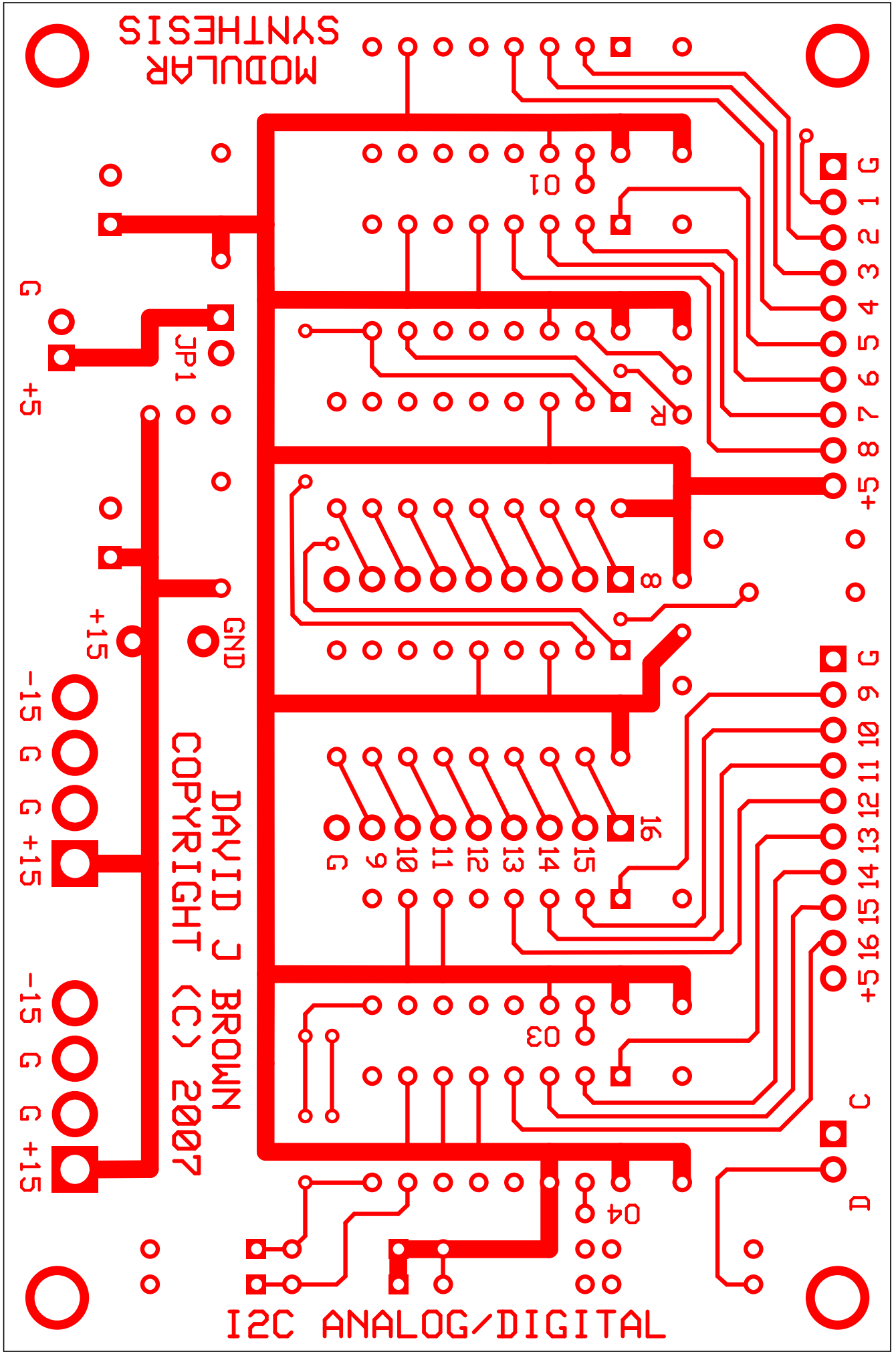
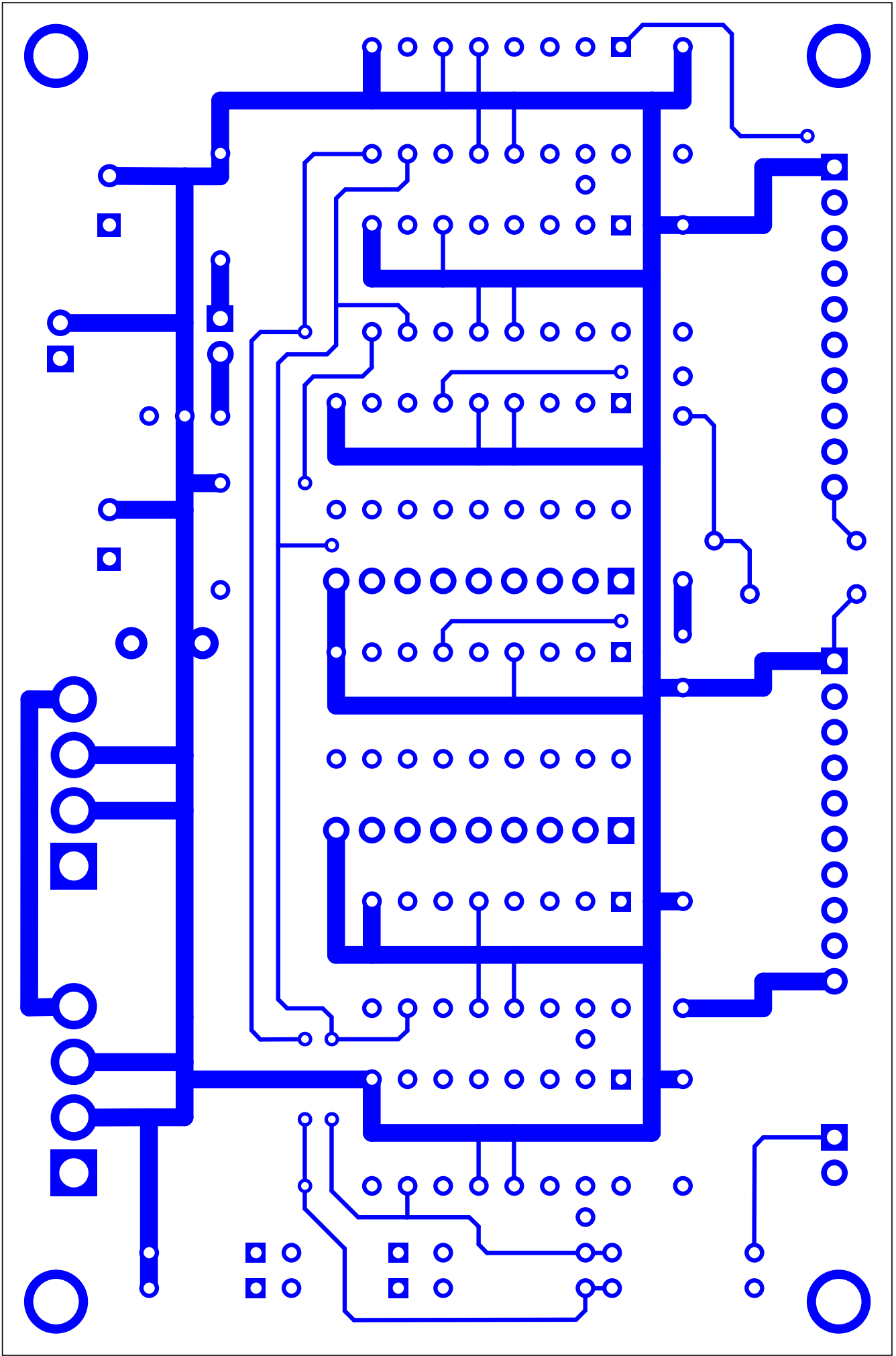
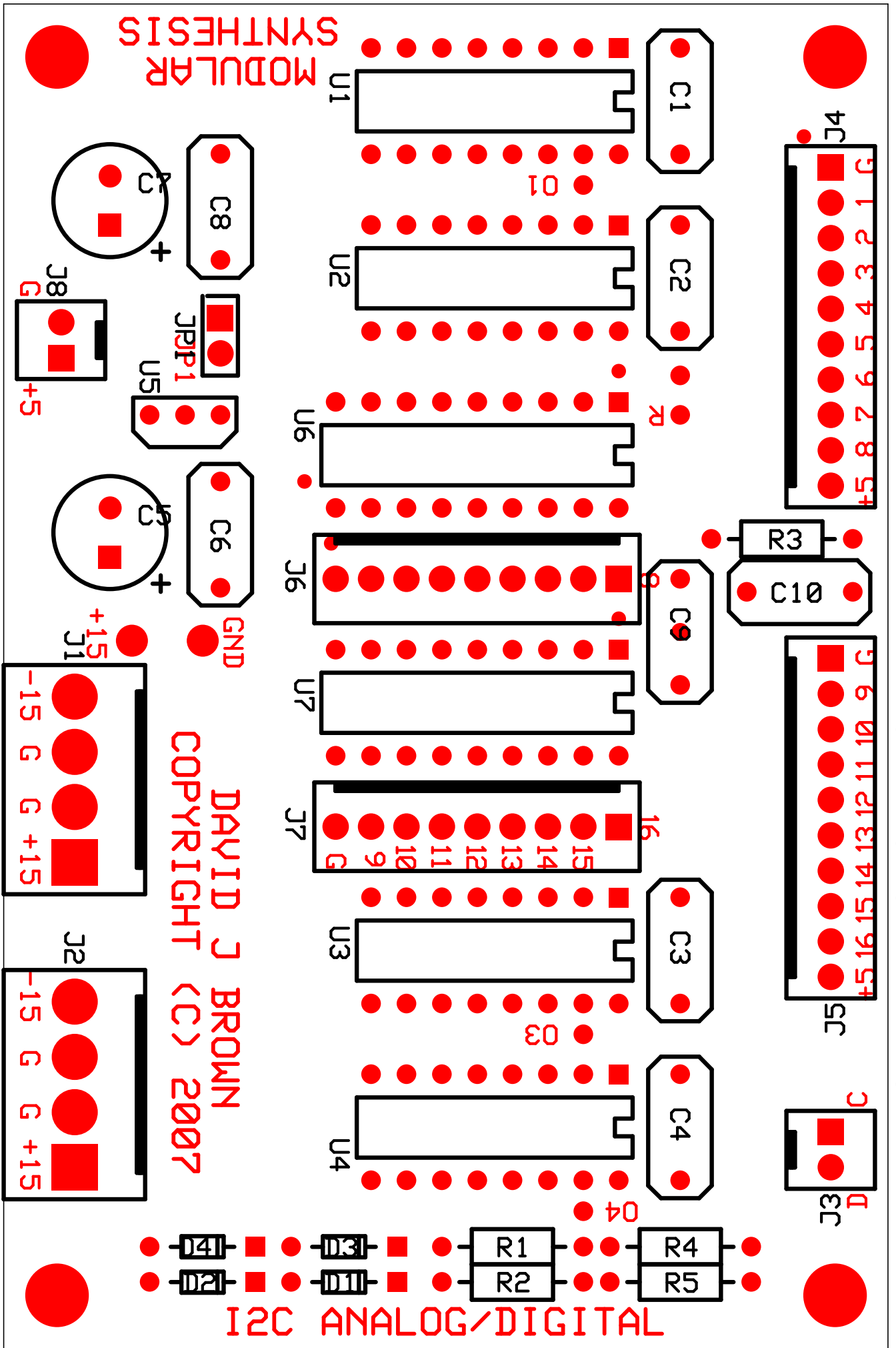


I2C Analog-Digital PCB Copyright (C) 2007 David J. Brown
 4/18/2007



I2C Analog-Digital PCB Copyright (C) 2007 David J. Brown
4/18/2007





I2C Analog-Digital PCB Copyright (C) 2007 David J. Brown
4/18/2007

DAVID J BROWN
COPYRIGHT (C) 2007

I2C ANALOG/DIGITAL

MODULAR SYNTHESIS