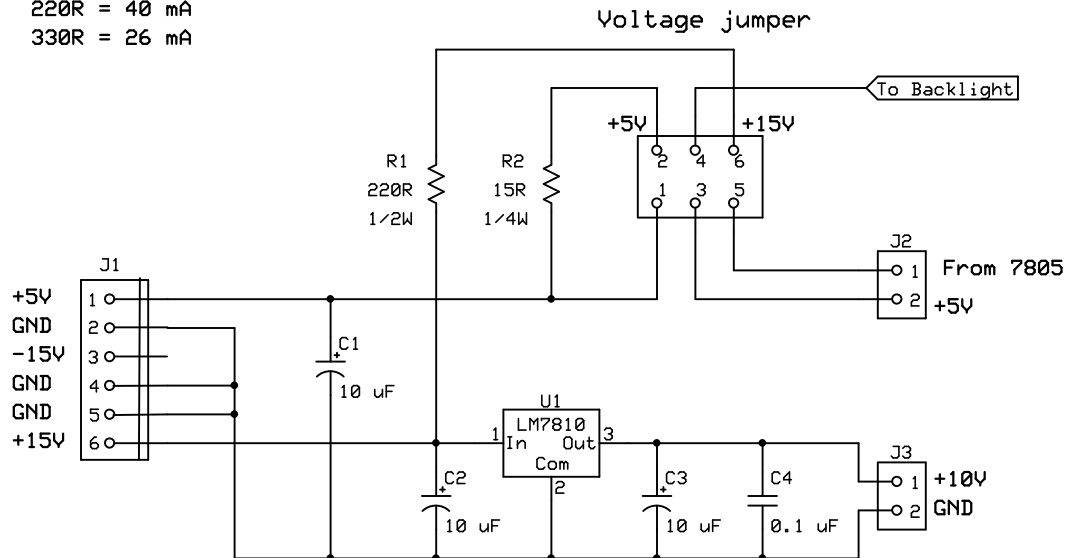
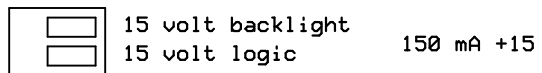
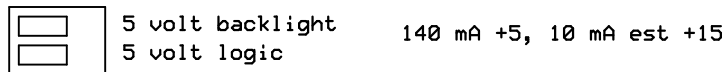


Backlight resistor selection

+5V	+15V
0R = 100 mA	150R = 70 mA
15R = 40 mA	220R = 40 mA
33R = 26 mA	330R = 26 mA



Voltage jumper selection



DJB-019 LCD Oscilloscope

ModularSynthesis

David J. Brown

Rev 0.3

11/3/2009

Power Supply