

ModularSynthesis

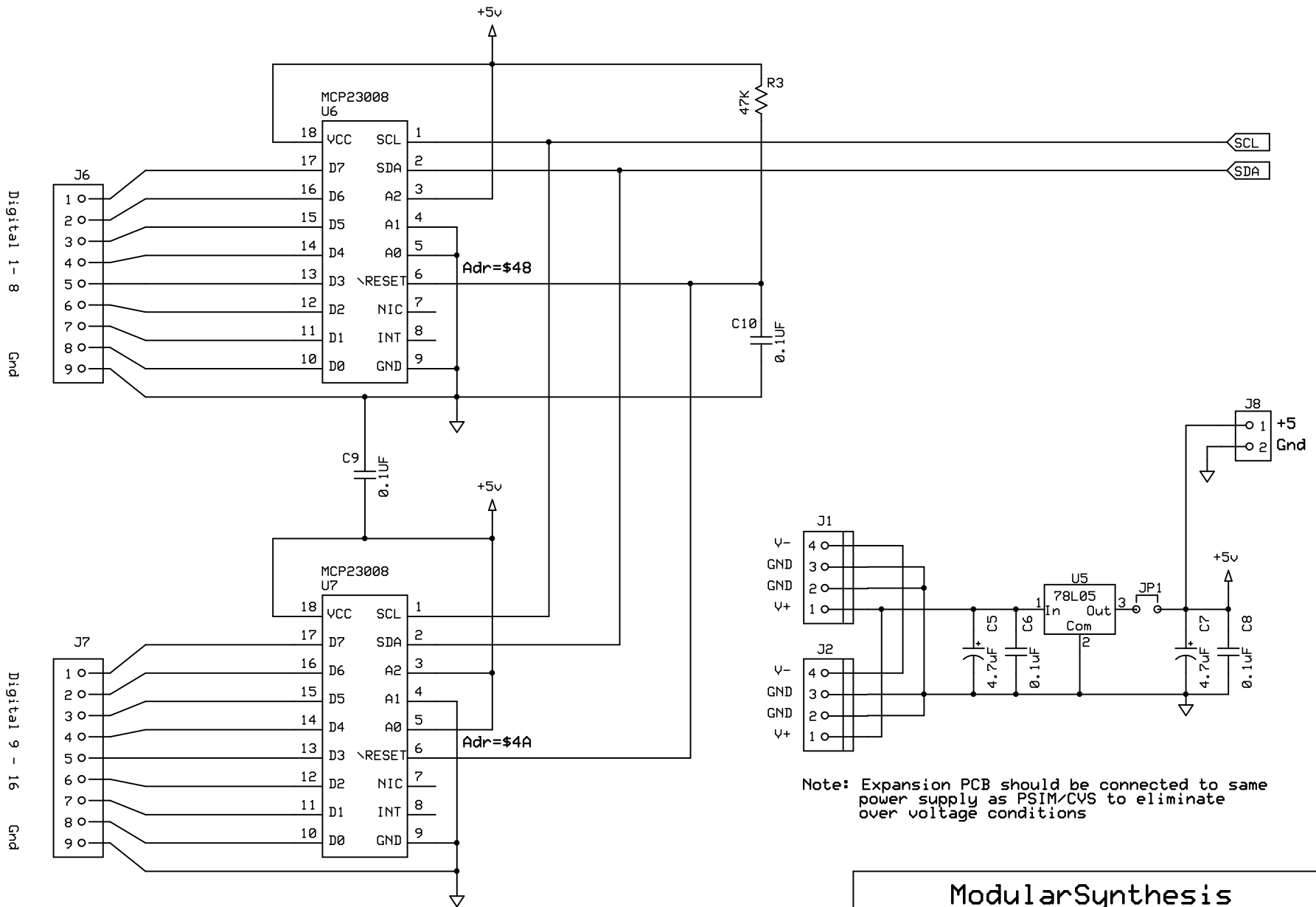
PSIM/CYS I2C Analog/Digital 1 of 2

David J. Brown

4/8/2007

Analog

Revised 4/18/2007



Note: Expansion PCB should be connected to same power supply as PSIM/CYS to eliminate over voltage conditions

ModularSynthesis

PSIM/CYS I2C Analog/Digital 2 of 2

David J. Brown

4/8/2007

Digital

Revised 4/18/2007