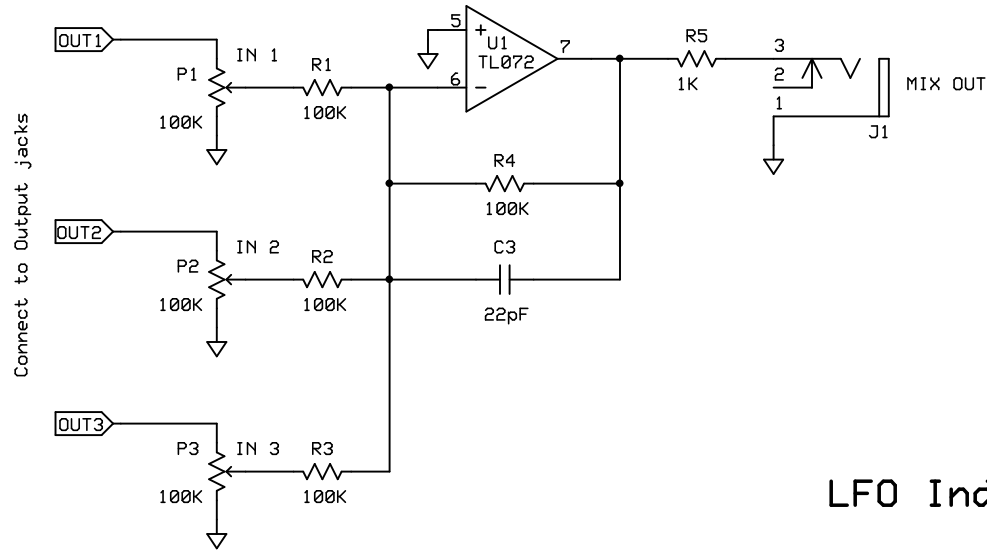


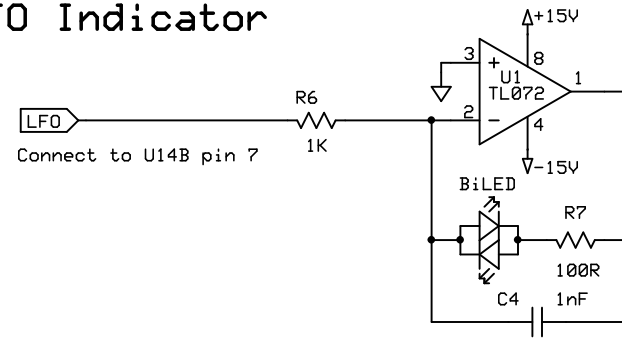
JH. Living VCOs (JH-5A VCOs)
 (c) 2009 Juergen Haible
 All Rights Reserved

Dave Brown
 Wiring Diagram
 +/-5V signal levels

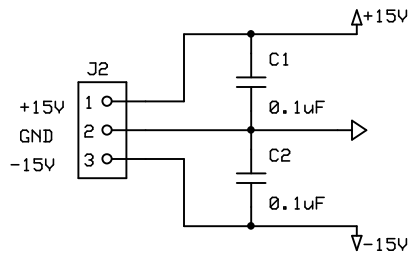
Out Mixer



LFO Indicator



Power



Do not install R139 and R140
 Replace C28 with a jumper
 OCT header repurposed to supply link

Living VCO

ModularSynthesis

David J. Brown

Rev 0.0
 9/19/2009

Enhancements