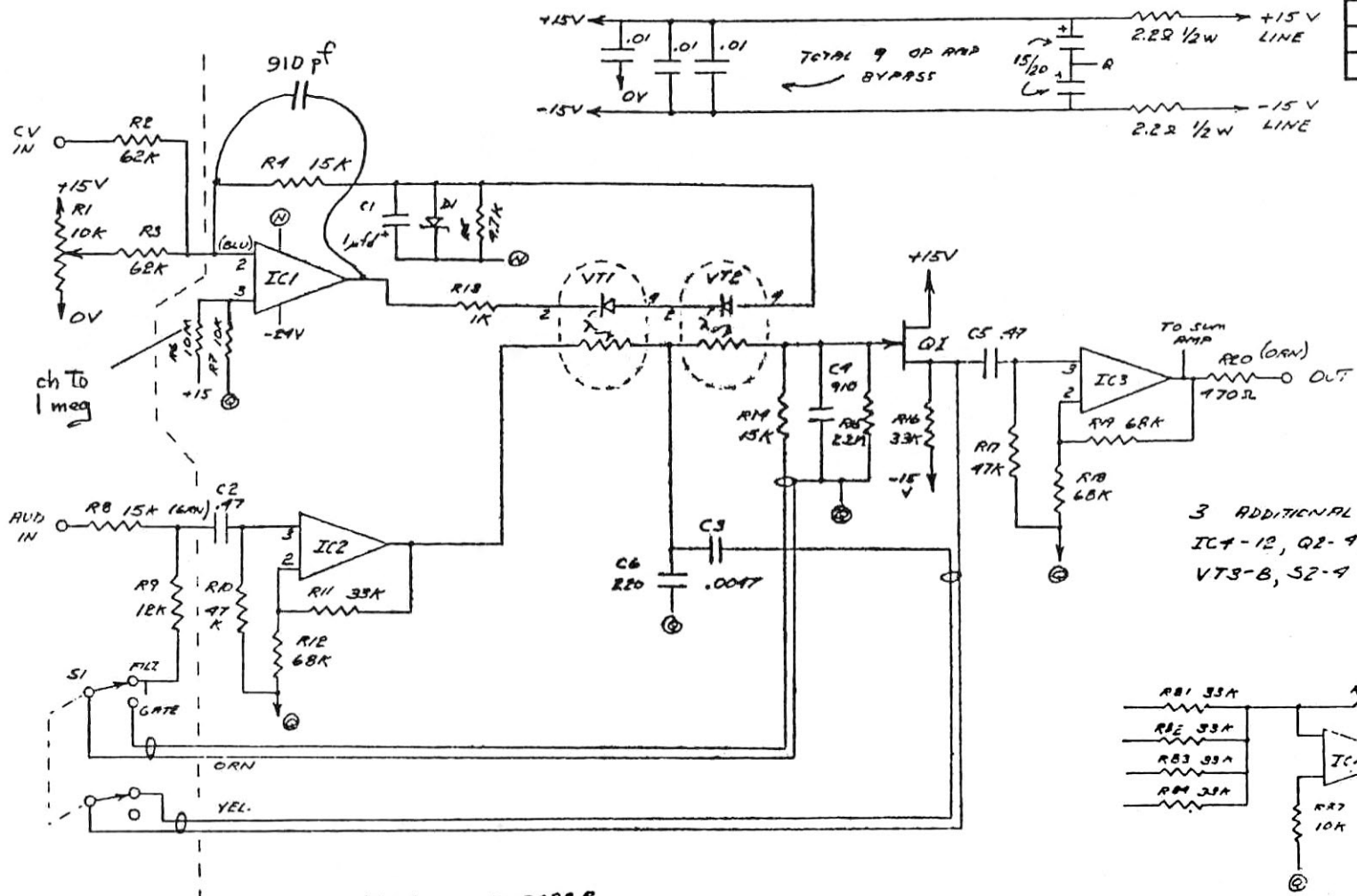
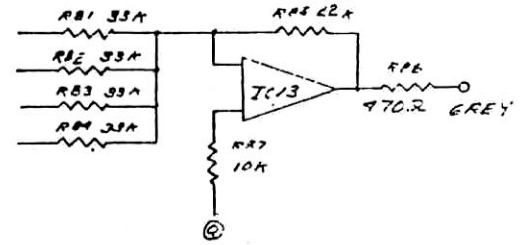


DATE	BY	REVISION RECORD	AUTH.	DR.	CK.
5/71		LED driver modifications			
		add signal ramp			



3 ADDITIONAL STAGES:  
 IC4-12, Q2-4, C6-10, R21-30  
 VT3-8, S2-4



- D1-4 1N5228B
- Q1-4 1TE4559
- IC1,7,10 -741
- IC2,3,5,6, 8,9,11,12,13 N5532V
- VT1-8 VTL2C3

7-76

add cap across IC1  
 ch R6 To 1meg  
 ret. 0V to panel  
 add supply bypass

TOLERANCES (EXCEPT AS NOTED)		BUCHLA ASSOCIATE'S	
DECIMAL		SCALE	DRAWN BY BH
±	SERIES 20C	—	APPROVED BY
FRACTIONAL	TITLE		
±	SCHEMATIC: MCD 2928 QUAD CH. PASS		
ANGULAR	DATE	DRAWING NUMBER	
±	10/12/70	B21208	

CBS